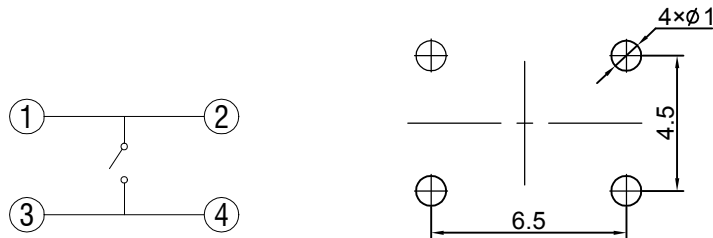
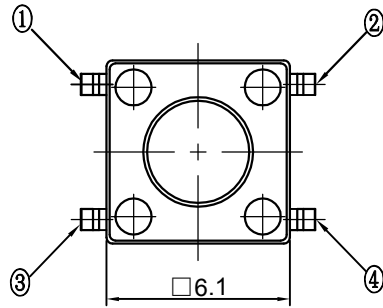
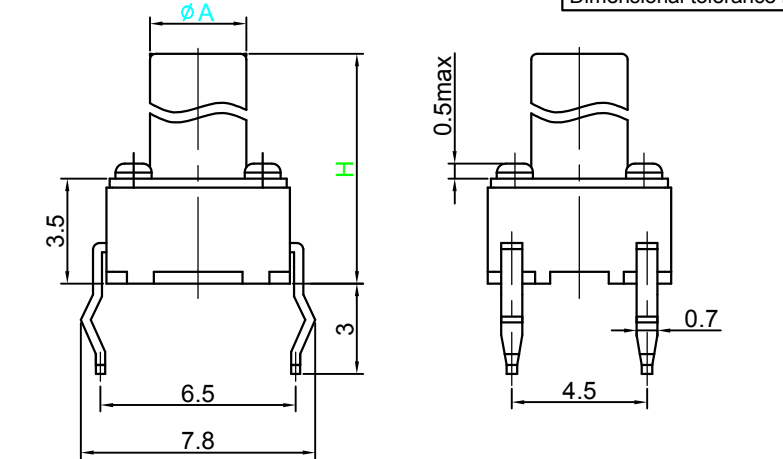




Switch drawings

Dimensional tolerance is ± 0.2mm

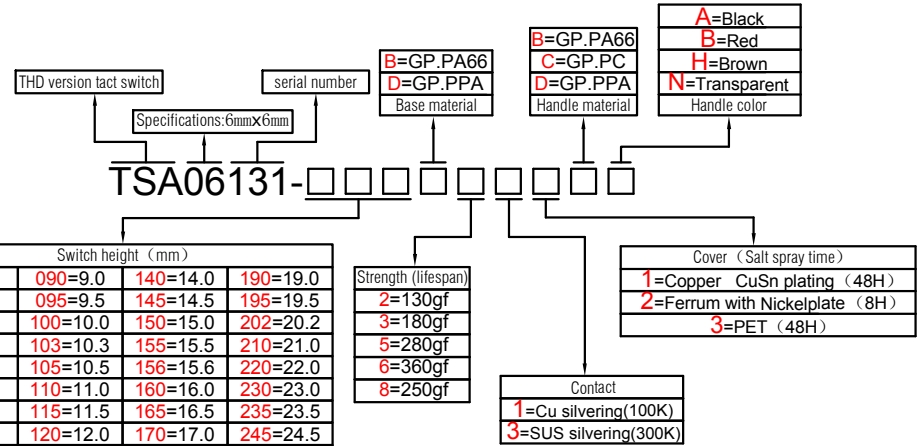


CIRCUIT DIAGRAM

P.C.B. LAYOUT

H	4.3	4.5	4.8	5	5.5	6	6.5	7	7.3	7.5	8
A	3.4	3.4	3.4	3.5	3.2	3.2	3.2	3.2	3.2	3.2	3.2
H	8.5	9	9.5	10	10.3	10.5	11	11.5	12	12.5	13
A	3.2	3.1	3.2	3.2	3.2	3	3.1	3.2	3.2	3.1	3.2
H	13.5	14	14.5	15	15.5	16	16.5	17	17.5	18	18.5
A	3	3.2	3.1	3.1	3.2	3.2	3.2	3.2	3	3.2	3
H	19	19.5	20.2	21	22	23	23.5	24.5	25	26	
A	3.1	3	3.2	3.1	3.2	3.1	3.2	3	3	3.2	

Number Description



Switch height (mm)			
043=4.3	090=9.0	140=14.0	190=19.0
045=4.5	095=9.5	145=14.5	195=19.5
050=5.0	100=10.0	150=15.0	202=20.2
055=5.5	103=10.3	155=15.5	210=21.0
060=6.0	105=10.5	156=15.6	220=22.0
065=6.5	110=11.0	160=16.0	230=23.0
070=7.0	115=11.5	165=16.5	235=23.5
073=7.3	120=12.0	170=17.0	245=24.5
075=7.5	125=12.5	175=17.5	250=25.0
080=8.0	130=13.0	180=18.0	260=26.0
085=8.5	135=13.5	185=18.5	

SPECIFICATIONS	
Funtion:	Momentary action
Contact Arrangement:	SPST, Normally Open
Termination:	THD version
Environmental	
Operating Temperature:	-25~+70°C
Relative Humidity:	(40°C) ≤70%
Electrical	
Contact Rating:	50mA 12V DC
Dielectric Strength:	250VAC /1min
Contact Resistance:	100mΩMax.
Insulation Resistance:	100MΩMin.
Travel:	0.25±0.1mm
Mechanical	
Actuation Force:	Optional
Life Expectancy:	Optional

Materials	
1.Stem:	Optional
2.Cover:	Optional
3.Contact:	Optional
4.Holder:	Optional
5.Terminal:	Ag plating Au plating

