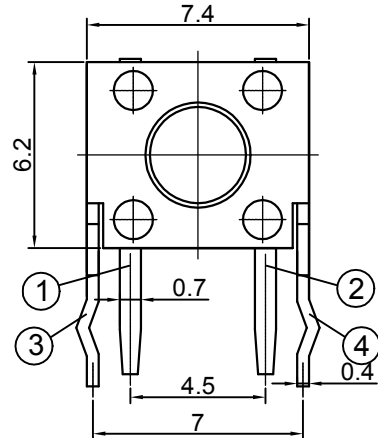
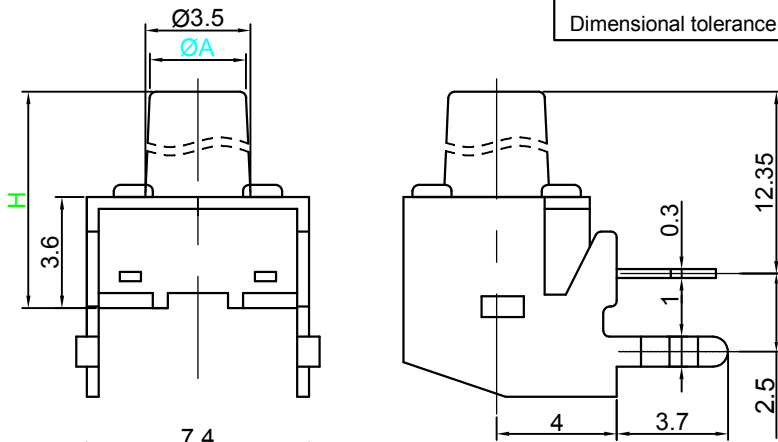


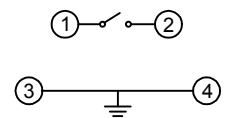


Switch drawings

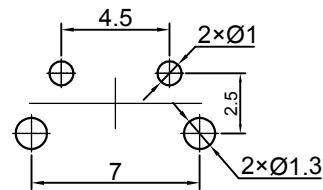
Dimensional tolerance is ± 0.2mm



Dimensional tolerance is ± 0.2mm



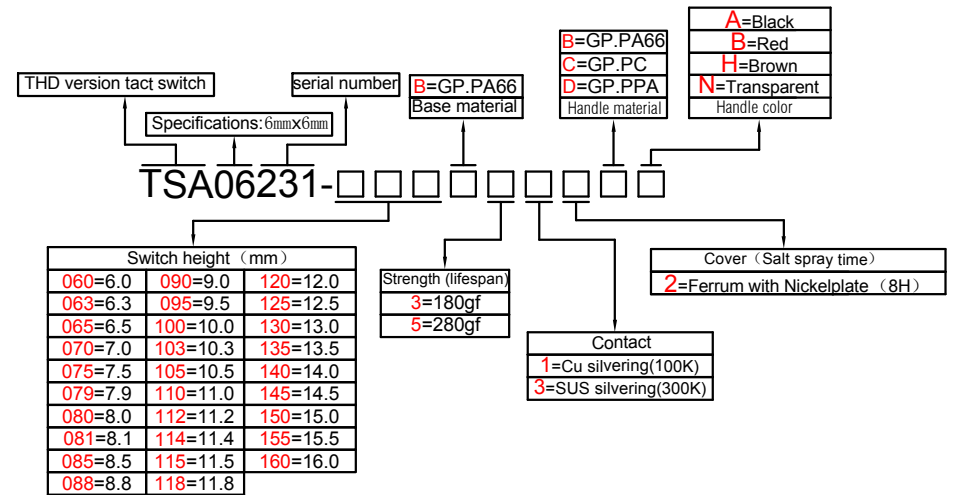
CIRCUIT DIAGRAM



P.C.B. LAYOUT

H	6	6.3	6.5	7	7.5	7.9	8	8.1	8.5	8.8
A	3.4	3.4	3.4	3.2	3	3	3.2	3.1	3.2	3.2
H	9	9.5	10	10.3	10.5	11	11.2	11.4	11.5	11.8
A	3.2	3.2	3.2	3.1	3.1	3.1	3.1	3.2	3.2	3.2
H	12	12.5	13	13.5	14	14.5	15	15.5	16	
A	3.2	3.1	3.2	3.2	3.1	3.2	3	3.2	3.1	

Number Description



SPECIFICATIONS

Function:	Momentary action
Contact Arrangement:	SPST, Normally Open
Termination:	THD version

Environmental

Operating Temperature:	-25~+70°C
Relative Humidity:	(40°C) ≤70%

Electrical

Contact Rating:	50mA 12V DC
Dielectric Strength:	250VAC /1min
Contact Resistance:	100mΩMax.
Insulation Resistance:	100MΩMin.
Travel:	0.25±0.1mm

Mechanical

Actuation Force:	Optional
Life Expectancy:	Optional

Materials

1.Stem:	Optional
2.Cover:	Optional
3.Contact:	Optional
4.Holder:	Optional
5.Terminal:	Ag plating Au plating

